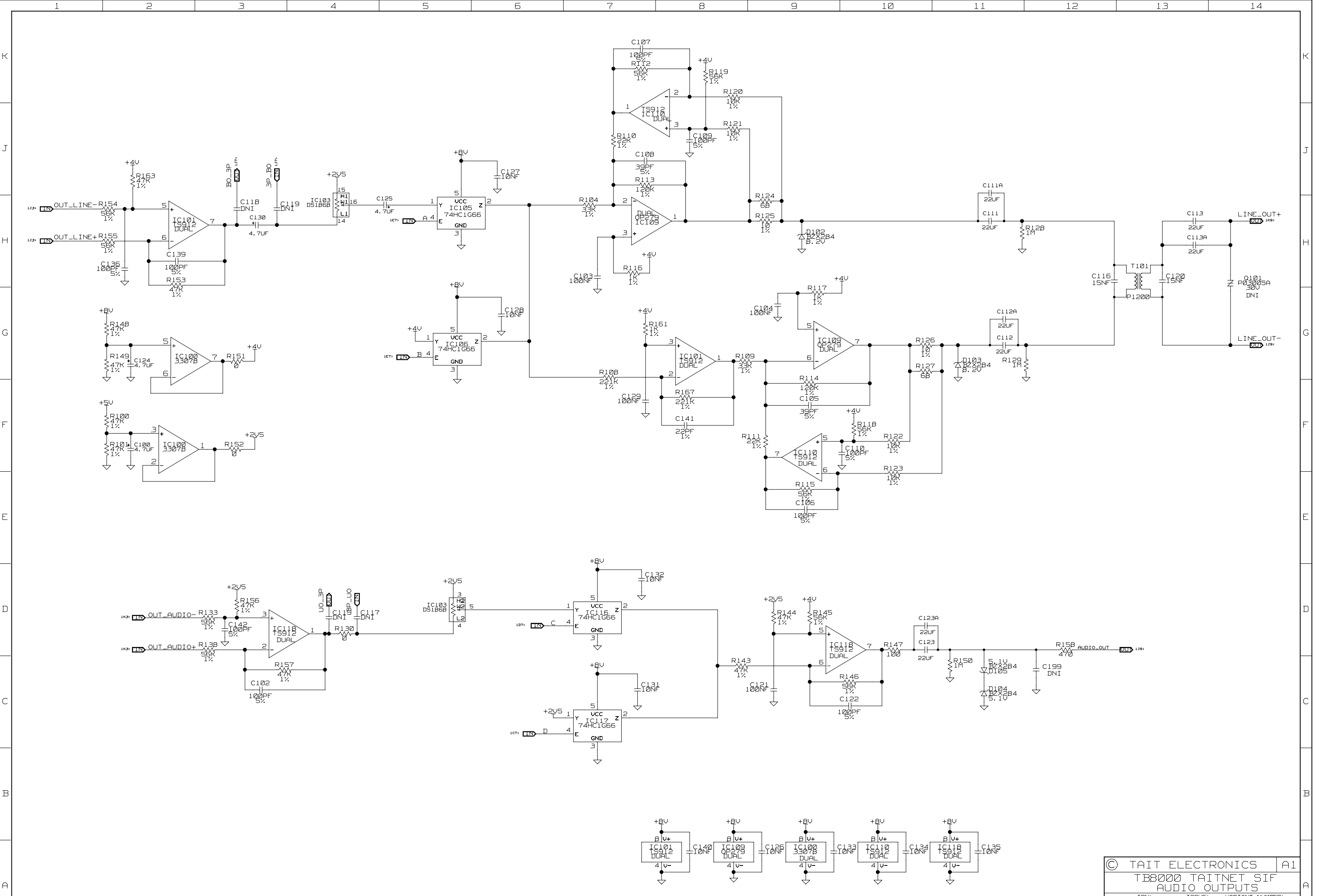


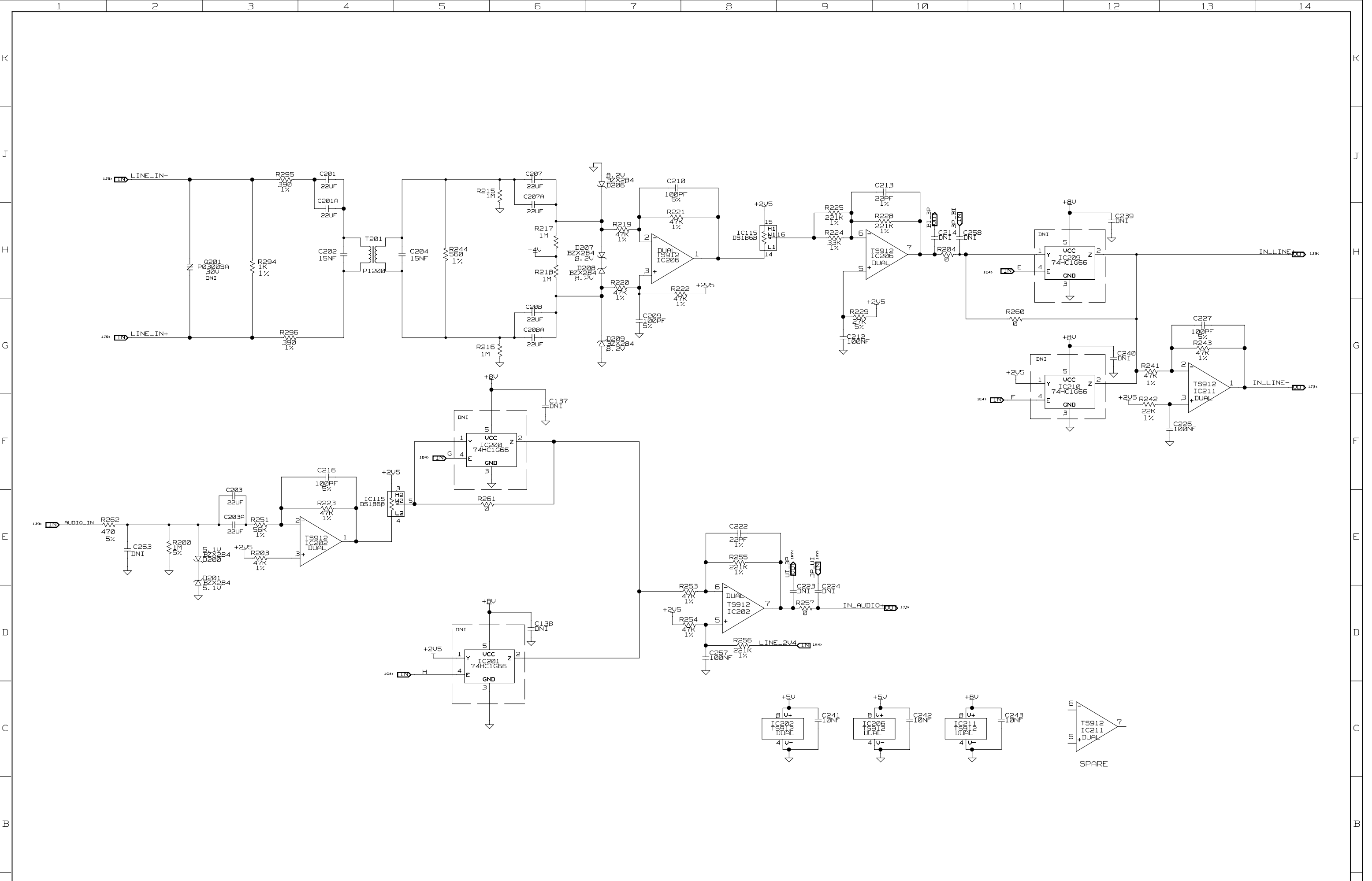
REV/ISS	AMENDMENTS	DRAWN	CHKD	D. O.	APVD	DATE
02C	UPDATED THE PASTE PADS ON CONNECTOR SK500	SS	SH	CJK	SH	23/05/06
02B	SCHEMATIC REGENERATED.	TB		CJK		05/12/05
02A	CONNECTOR CHANGED	ML		CJK		05/12/05
01A	LONED FROM 220-032-04 AND MODIFIED FOR RS232	ML		CJK		25/06/04

© TAIT ELECTRONICS		A1
TB000 TAITNET SIF CONNECTORS & MISC.		
IPN: 220-02054-02	ISSUE: C	VARIANT NUMBER: ?
FILE DATE: Tue May 23 14:53:18 2006		
ENGINEER: S. HEALD	FILE NAME: 220_02054	SHEET NUMBER: 1 OF 5



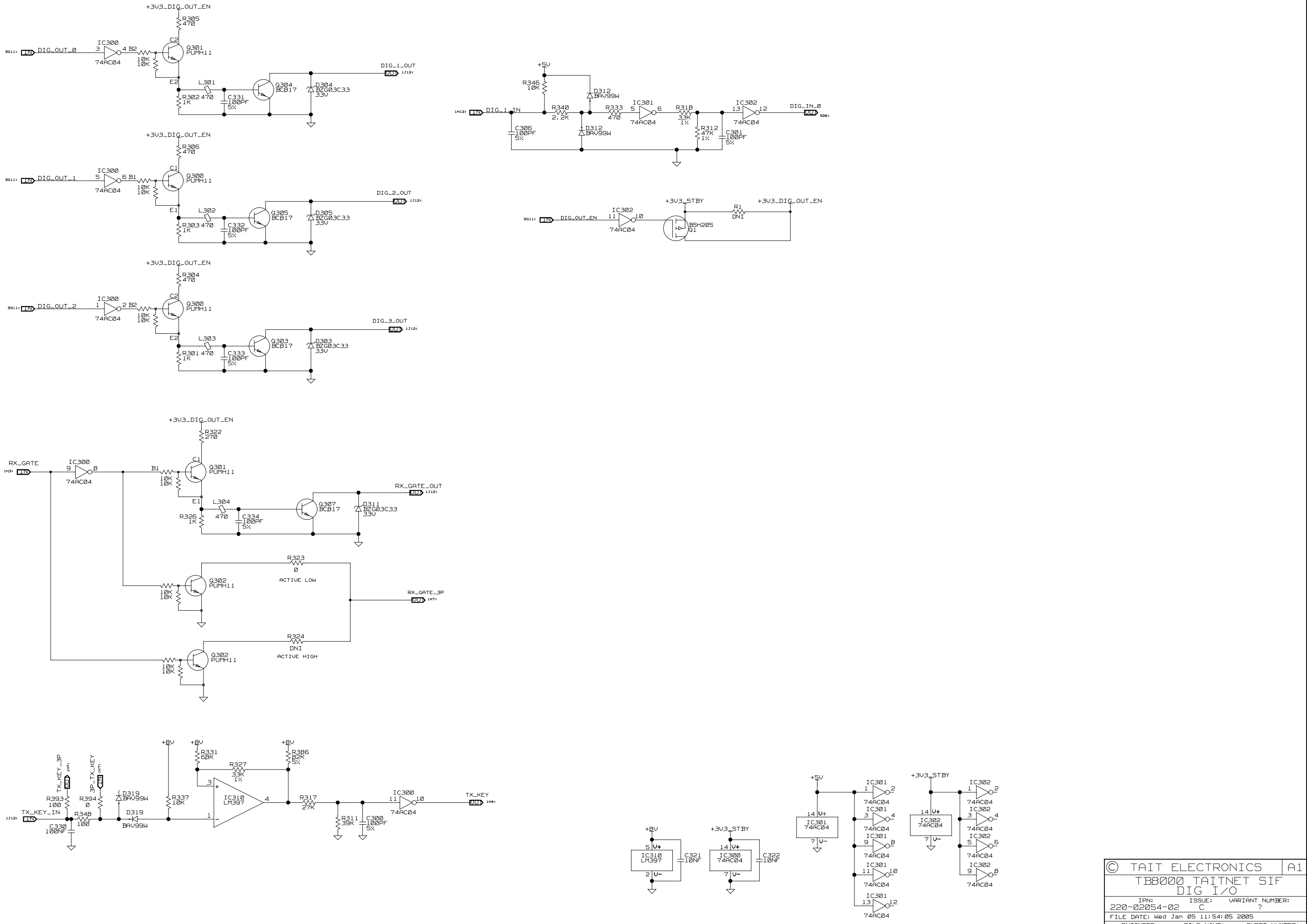
© TAIT ELECTRONICS A1  
 TB8000 TAITNET SIF  
 AUDIO OUTPUTS  
 IPN: 220-02054-02 ISSUE: C VARIANT NUMBER: ?  
 FILE DATE: Wed Jan 05 11:54:03 2005  
 ENGINEER: S. HEALD FILE NAME: 220\_02054 SHEET NUMBER: 2 OF 5

REV/ISS	AMENDMENTS	DRAWN	CHKD	D.O.	APVD	DATE
1						
2						
3						
4						
5						



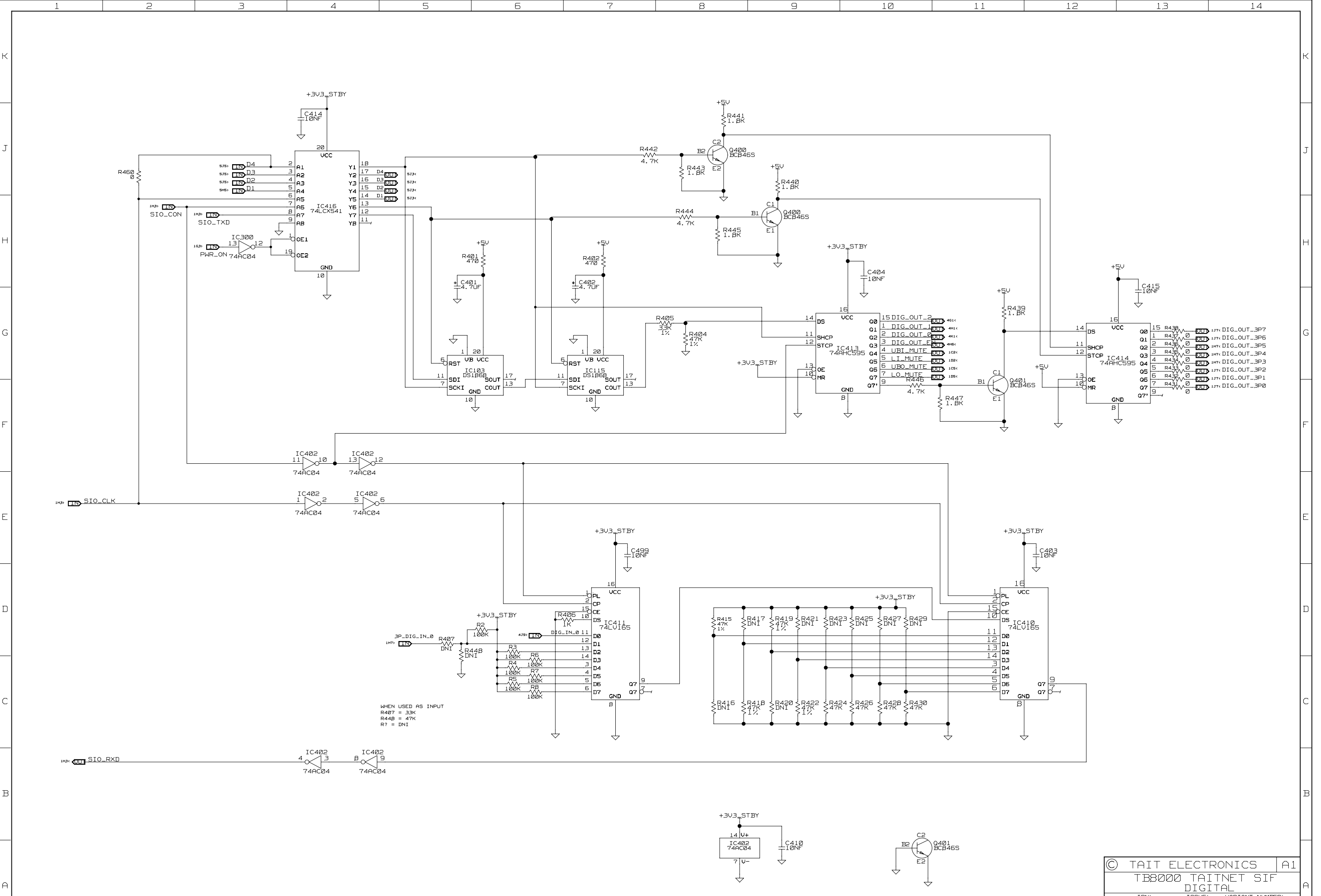
© TAIT ELECTRONICS		A1
TB8000 TAITNET SIF AUDIO INPUTS		
IPN: 220-02054-02	ISSUE: C	VARIANT NUMBER: ?
FILE DATE: Wed Jan 05 11:54:04 2005		
ENGINEER: S. HEALD	FILE NAME: 220_02054	SHEET NUMBER: 3 OF 5

REV/ISS	AMENDMENTS	DRAWN	CHKD	D. O.	APVD	DATE
1						
2						
3						
4						
5						



© TAIT ELECTRONICS		A1
TB8000 TAITNET SIF DIG I/O		
IPN: 220-02054-02	ISSUE: C	VARIANT NUMBER: ?
FILE DATE: Wed Jan 05 11:54:05 2005		
ENGINEER: S. HEALD	FILE NAME: 220_02054	SHEET NUMBER: 4 OF 5

REV/ISS	AMENDMENTS	DRAWN	CHKD	D. O.	APVD	DATE
1						
2						
3						
4						
5						



WHEN USED AS INPUT  
R407 = 33K  
R44B = 47K  
R7 = DNI

© TAIT ELECTRONICS		A1
TB8000 TAITNET SIF DIGITAL		
IPN: 220-02054-02	ISSUE: C	VARIANT NUMBER: ?
FILE DATE: Wed Jan 05 13:28:33 2005		
ENGINEER: S. HEALD	FILE NAME: 220_02054	SHEET NUMBER: 5 OF 5

REV/ISS	AMENDMENTS	DRAWN	CHKD	D.O.	APVD	DATE
1						
2						
3						
4						
5						
6						
7						
8						
9						
10						
11						
12						
13						
14						